

# Parts list

## BASIC-LINE

### Cable carrier UNIFLEX Advanced 1250

<b>Overview</b>	<b>page</b>
Overview of change.....	2
<b>Stay type</b>	
UA 1250 .....	3
<b>Bracket</b>	
Bracket UA 1250.....	4

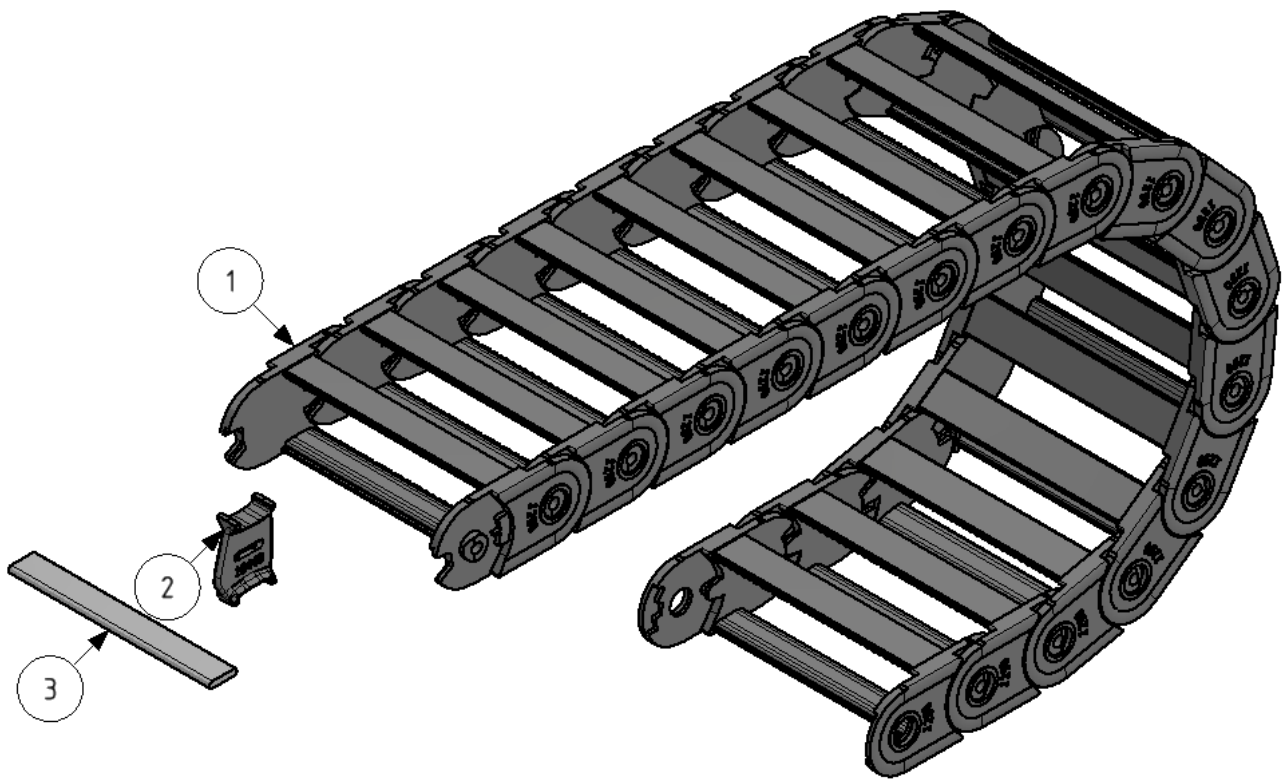
## Overview of change

Version	Page	Date	Change

Version	Page	Date	Addition/Removed
1.0	all	12/2023	NEW

Back to: [content](#)

**UA 1250**



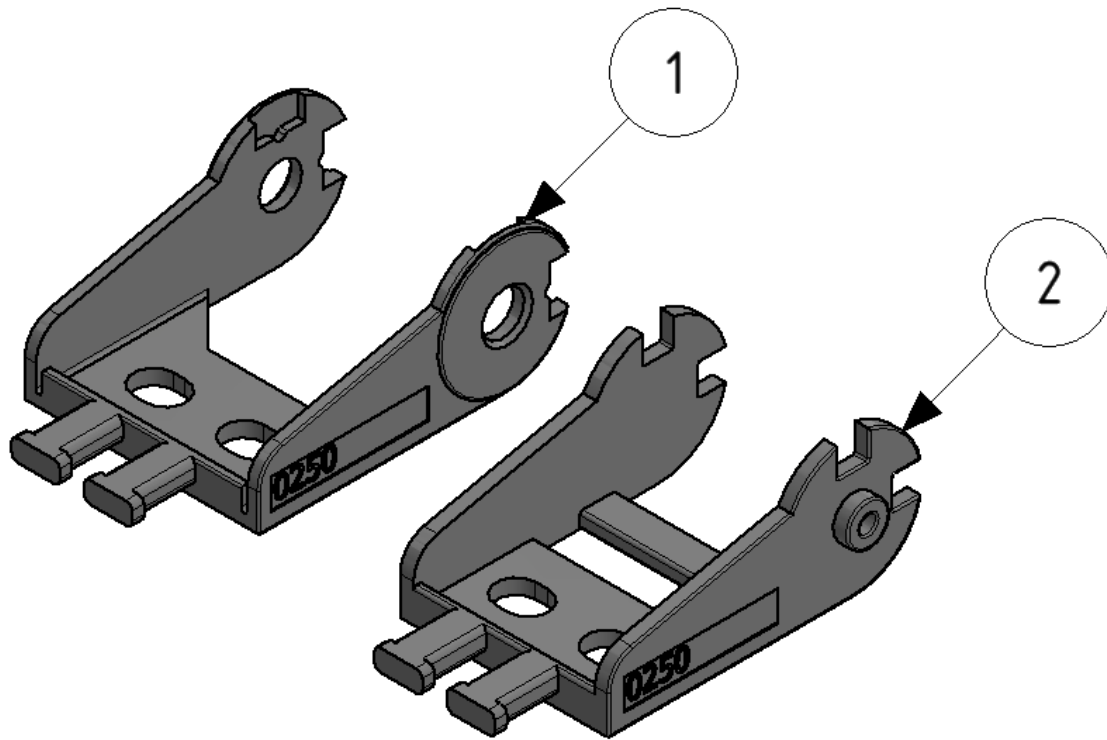
Item	Materialtext [remarks]	KR 028	KR 038	KR 045	KR 060	KR 075	KR 100
1 <sup>1</sup>	cc UA1250.020.050	10112	10113	10114	10115	10116	10117

Item	Materialtext [remarks]	Mat.-No.
2	Divider UA1250-QT0250 TS0-TS1 [TS0 – without height separation, TS1 – continuous height separation with profile (item3)]	10448
3	Flat profile 2,1 x 9,1 [Aluminium]	6240

Back to: [content](#)

<sup>1</sup> 1 piece cable carrier consists of 40 chain links = 1000mm

# Bracket UA 1250



Item	Materialtext [remarks]	Mat.-No.
1	bracket U0250 1250/ET/QT Bi050 ME SR [with strain relief]	11099
2	bracket U0250 1250/ET/QT Bi050 FE SR [with strain relief]	11107

Back to: [content](#)