

Parts list

VARIO-LINE

Cable carrier TKHD 85 / TKHD 85-R

Overview	page
Overview of change.....	2
Stay type	
TKHD 85 RMF.....	3
TKHD 85-R RMF.....	4
GO-Modul	
TKHD 85 GO-Modul.....	5
Brackets	
Brackets TKHD 85.....	6

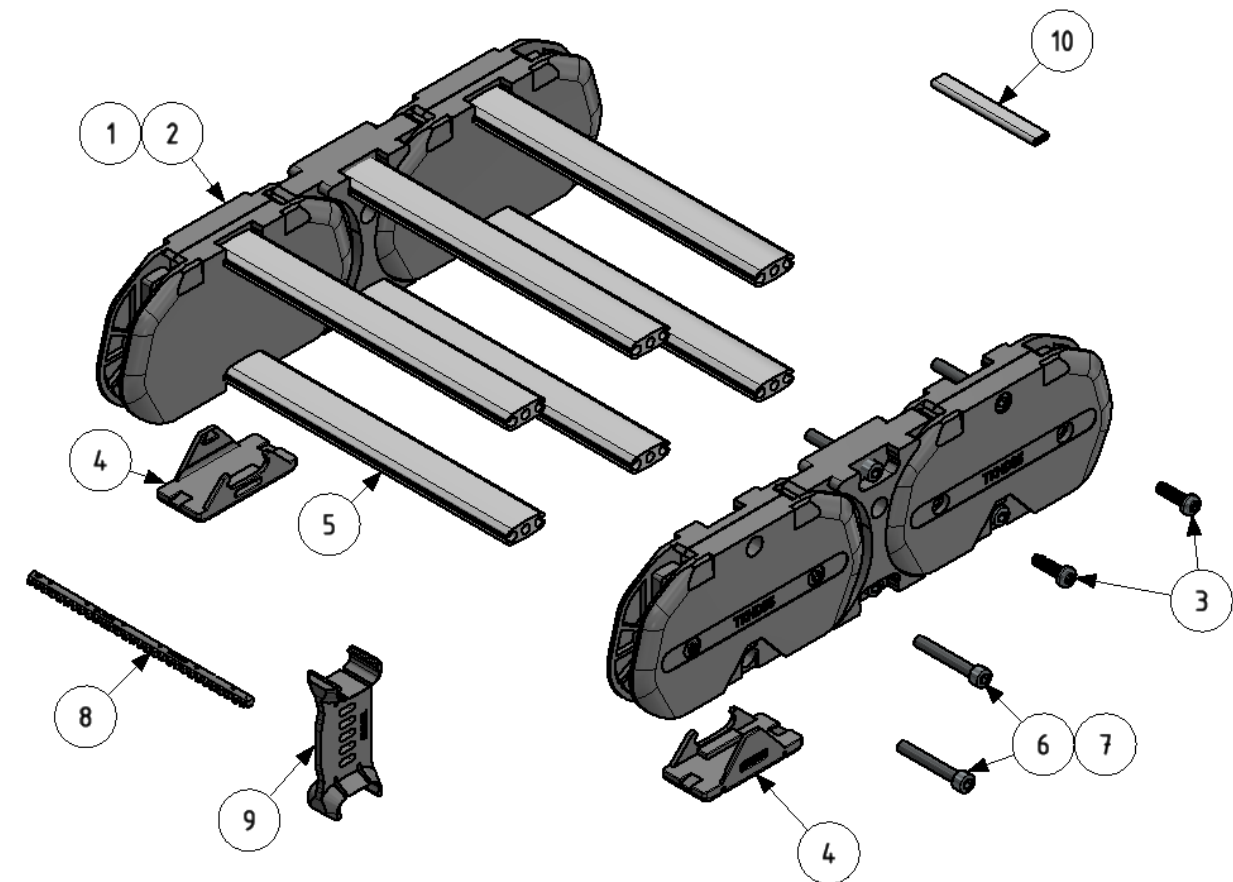
Overview of change

Version	Page	Date	Change

Version	Page	Date	Addition/Removed
1.0		06/2023	NEW

Back to: [content](#)

TKHD 85 RMF



Item	Materialtext [remarks]	KR 240	KR 300	KR 350	KR 400
1 ¹	cc-band TKHD85 VS0 [without pretension]	32574	32579	32582	32585
2 ¹	cc-band TKHD85 RSC [for RSC-system]	32578	32581	32584	32587

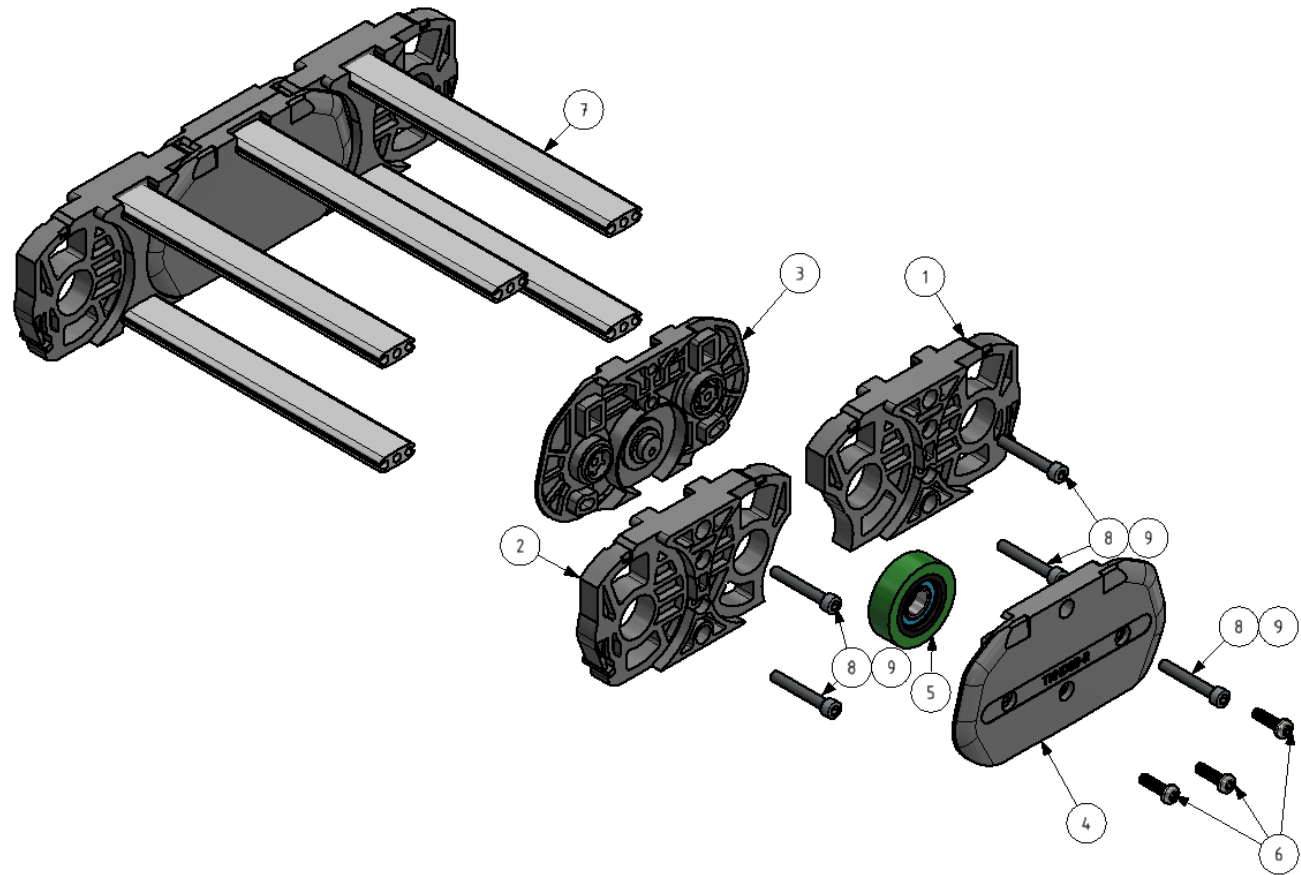
Item	Materialtext [remarks]	Mat.-No.
3 ²	LK-Schraube-T30-6x20-A4-GFU [screwing the cable carrier (item1/2/3)]	32599
4	Glide shoe TKHD85	32596
5	Profile TKHD90 RMF 26 x 10 [aluminum, L = Bi + 15mm]	5857
6 ²	Thread screw M6 x 25 [DIN 7500 E VZ, steel galvanized, screwing of the profile (item6)]	22061
7 ²	Cylindrical head screw M6x25 V4A DIN7500 EE [stainless steel, screwing of the profile (item6)]	20464
8	Fixing strip M1300 [150mm, grid for divider (item10)]	55105
9	Divider TKHD85 TS0-1 [TS0 - without height separation, TS1 - with continuous height separation with connecting profile (item11)]	32597
10	Connecting profile 10,8 x 4 0321 link [aluminum, for continuous height separation]	5803
-	AI_TKHD [Assembly instruction]	760102

Back to: [content](#)

¹ 1 piece chain band consists of 12 chain plates = 1080mm

² Sale only mounted – no retail sale

TKHD 85-R RMF



Item	Materialtext [remarks]	KR 240	KR 300	KR 350	KR 400
1 ¹	CC-Plate TKHD85-R middle PL C1	32564	32565	32566	32567
2 ¹	CC-Plate TKHD85-R middle PL C2	32568	32569	32570	32571

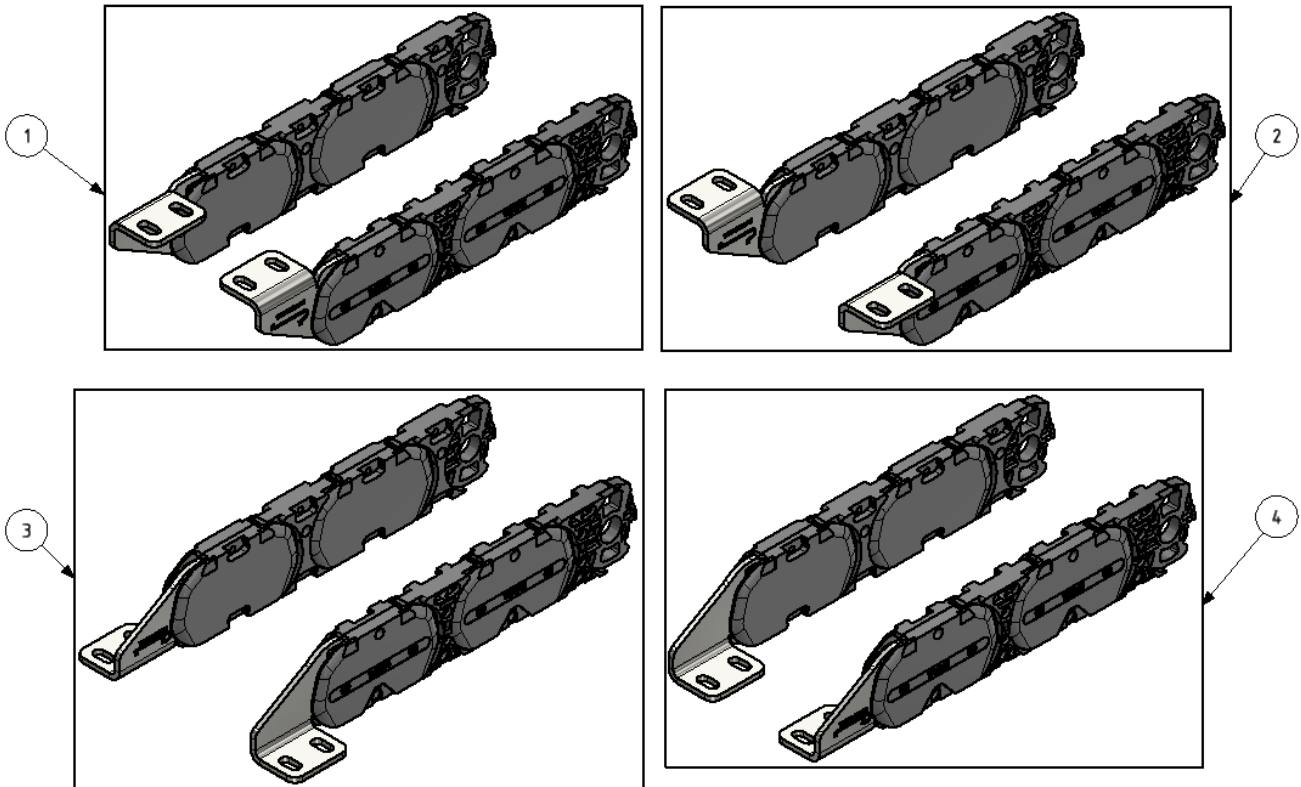
Item	Materialtext [remarks]	Mat.-No.
3	CC-Plate TKHD85-R inside VS RSC PL	32572
4	CC-Plate TKHD85-R outside VS RSC PL	32573
5	Rolle D42,5x15-15x9	32598
6 ²	LK-Schraube-T30-6x20-A4-GFU [screw connection of the chain plates (item3/4) & the roller with the chain plates (Pitem3/4)]	32599
7	Profile TKHD90 RMF 26 x 10 [aluminum, L = Bi + 15mm]	5857
8 ²	Thread screw M6 x 25 [DIN 7500 E VZ, steel galvanized, screwing of the profile (item6)]	22061
9 ²	Cylindrical head screw M6x25 V4A DIN7500 EE [stainless steel, screwing of the profile (item6)]	20464
-	AI_TKHD-R [assembly instruction]	760297

Zurück zu: [Inhaltsverzeichnis](#)

¹ 1 piece of cable carrier consists of 1x CC-Plate middle C1 (item1) + 1x CC-plate middle C2 (item2) + 1x CC-Plate inside (item3) + 1x CC-Plate outside (item4) + 1x roller (item5) + 3x screw (item6)

² Sale only mounted – no retail sale

TKHD 85 GO-Modul



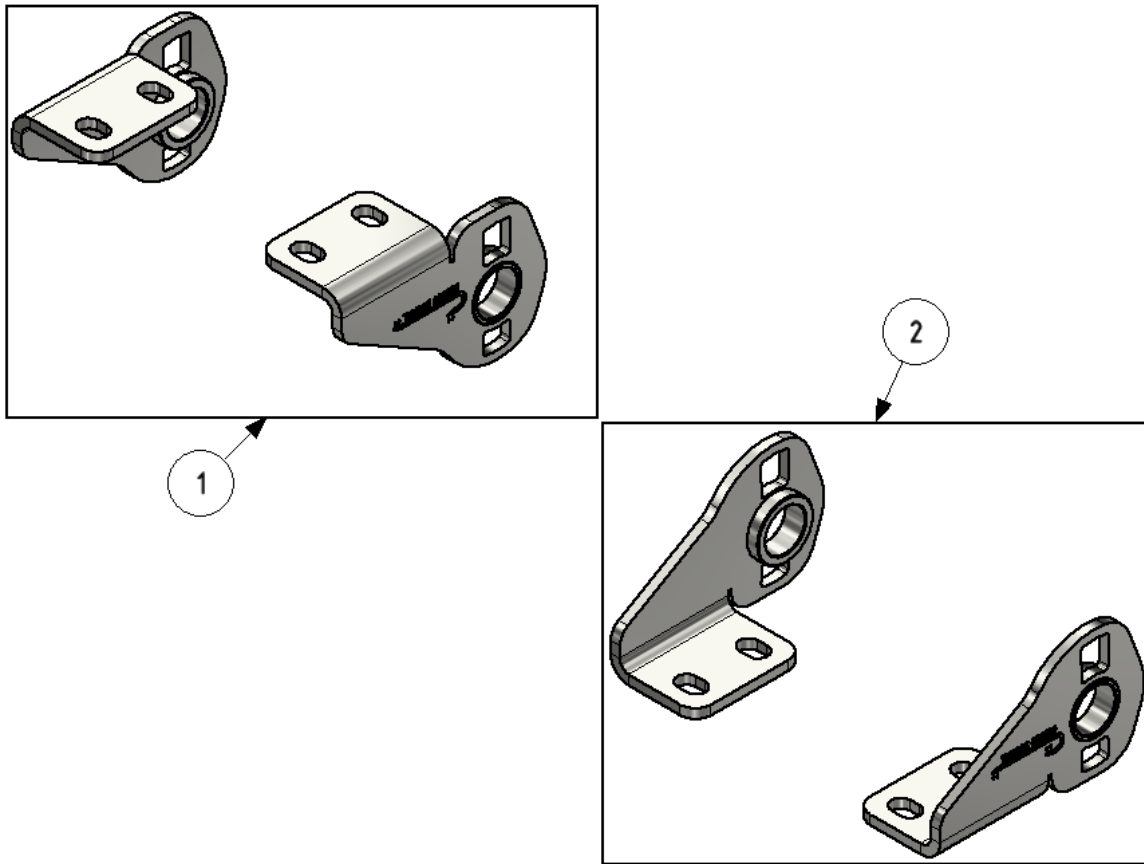
Item	Materialtext [remarks]	Mat.-No.
1 ¹	GO-Modul TKHD85 MAI	32595
2 ¹	GO-Modul TKHD85 MAA	32903
3 ²	GO-Modul TKHD85 MIA	32902
4 ²	GO-Modul TKHD85 MII	32549

Back to: [content](#)

¹ Consists of one left & one right chain band with 4 GO-chain plate middle, 2 chain plate inside, 2 chain plates outside & the bracket set #32688!

² Consists of one left & one right chain band with 2 GO-chain plate middle, 2 chain plate inside, 2 chain plates outside & the bracket set #32687!

Brackets TKHD 85



Item	Materialtext [remarks]	Mat.-No.
1	Set bracket TKHD85 FII-FIA-MII-MIA [stainless steel, two-parts]	32687
2	Set bracket TKHD85 FAI-FAA-MAI-MAA [stainless steel, two-parts]	32688

Back to: [content](#)