

Parts list

BASIC-LINE

Cable carrier QuickTrax 0250

Overview	page
Overview of change.....	2
Stay type	
QT 0250.030.....	3
QT 0250.040.....	4
Brackets	
Brackets QT 0250	5

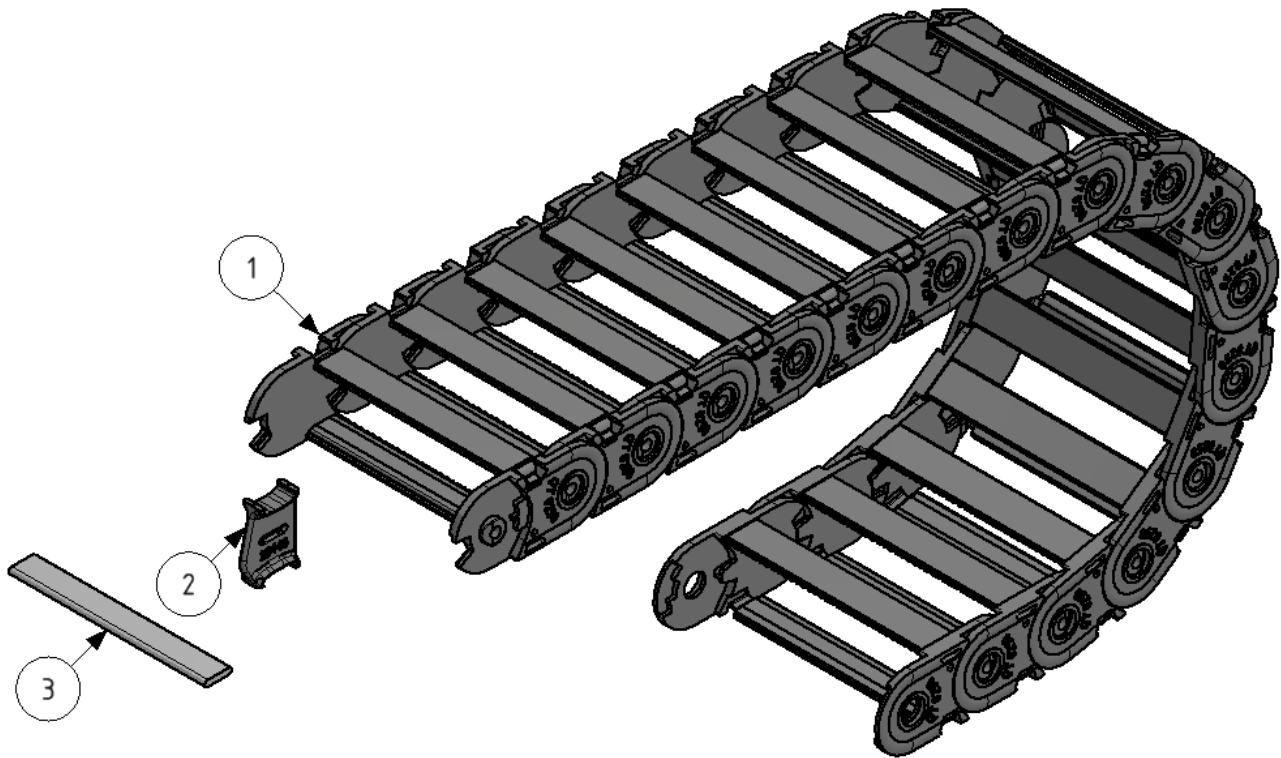
Overview of change

Version	Page	Date	Change

Version	Page	Date	Addition/Removed
1.0	all	12/2023	NEW

Back to: [content](#)

QT 0250.030



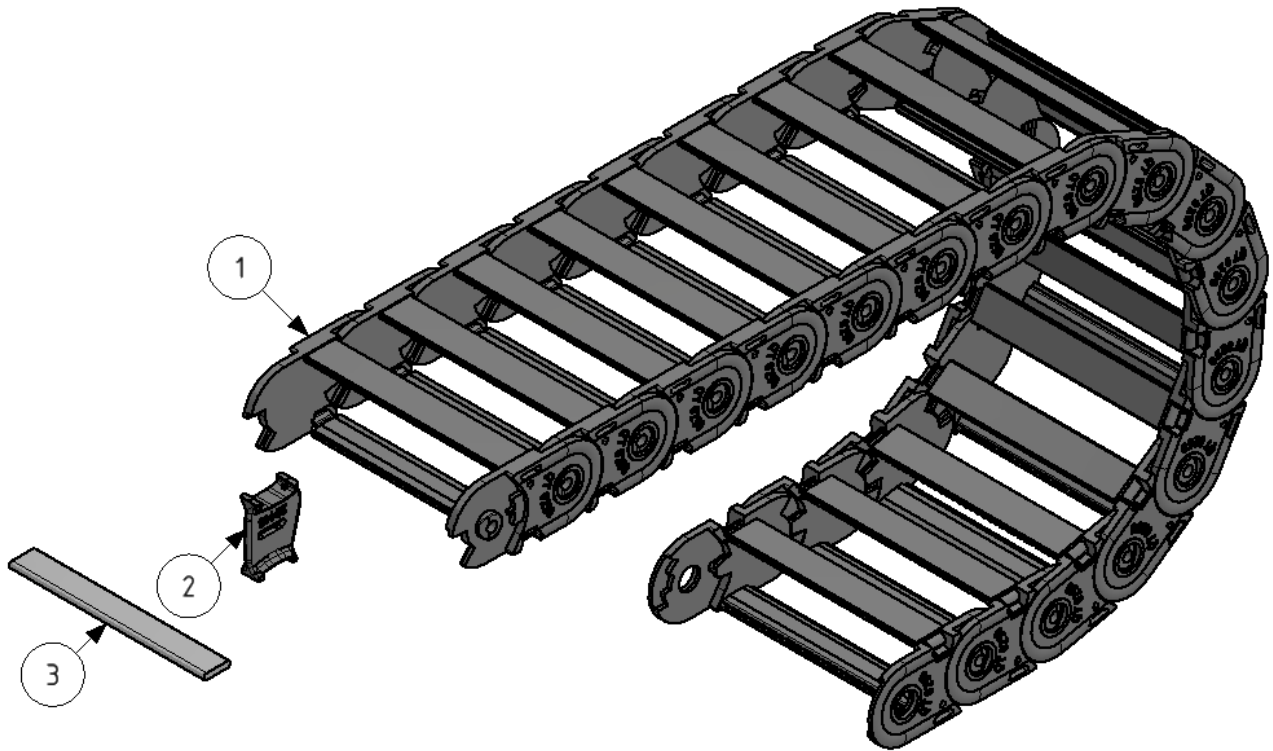
Item	Materialtext [remarks]	KR 028	KR 038	KR 045	KR 060	KR 075	KR 100
1 ¹	cc QT0250.030.050	10193	10194	10196	10197	10198	10199

Item	Materialtext [remarks]	Mat.-No.
2	Divider UA1250-QT0250 TS0-TS1 [TS0 – without height separation, TS1 – continuous height separation with profile (item3)]	10448
3	Flat profile 2,1 x 9,1 [Aluminium]	6240

Back to: [content](#)

¹ 1 piece cable carrier consists of 40 chain links = 1000mm

QT 0250.040



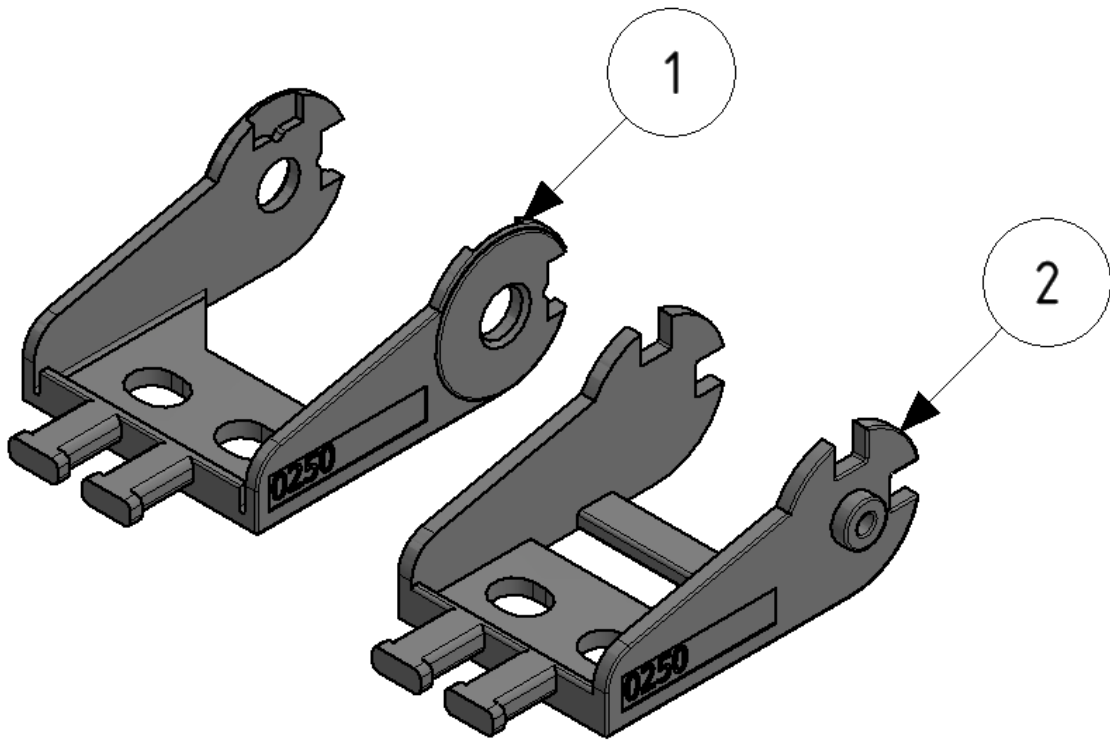
Item	Materialtext [remarks]	KR 028	KR 038	KR 045	KR 060	KR 075	KR 100
1 ¹	cc QT0250.040.050	10276	10277	10278	10279	10281	10282

Item	Materialtext [remarks]	Mat.-No.
2	Divider UA1250-QT0250 TS0-TS1 [TS0 – without height separation, TS1 – continuous height separation with profile (item3)]	10448
3	Flat profile 2,1 x 9,1 [Aluminium]	6240

Back to: [content](#)

¹ 1 piece cable carrier consists of 40 chain links = 1000mm

Brackets QT 0250



Item	Materialtext [remarks]	Mat.-No.
1	bracket U0250 1250/ET/QT Bi050 ME SR [with strain relief]	11099
2	bracket U0250 1250/ET/QT Bi050 FE SR [with strain relief]	11107

Back to: [content](#)