

# Parts list

## BASIC-LINE

### Cable carrier EasyTrax 0250

<b>Overview</b>	<b>page</b>
Overview of change.....	2
<b>Stay type</b>	
ET 0250.030 .....	3
ET 0250.040 .....	4
<b>Brackets</b>	
Brackets ET 0250.....	5

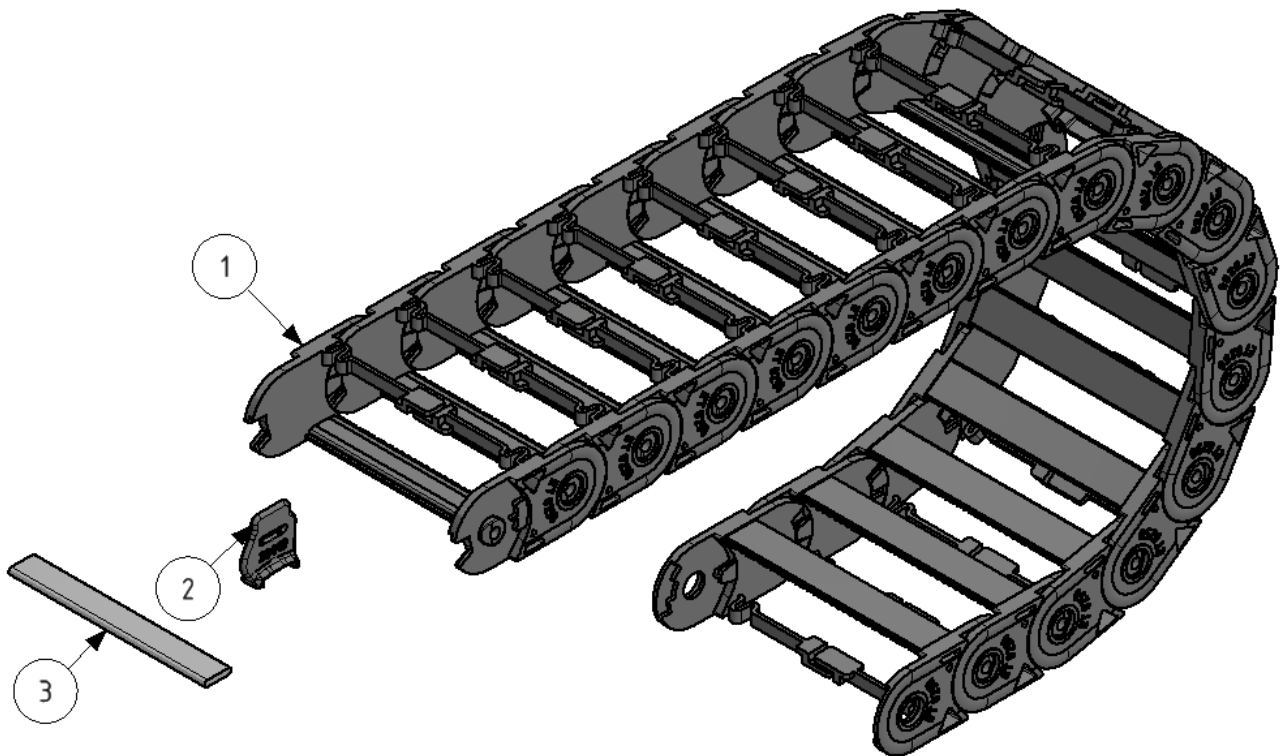
## Overview of change

Version	Page	Date	Change

Version	Page	Date	Addition/Removed
1.0	all	12/2023	NEW

Back to: [content](#)

**ET 0250.030**



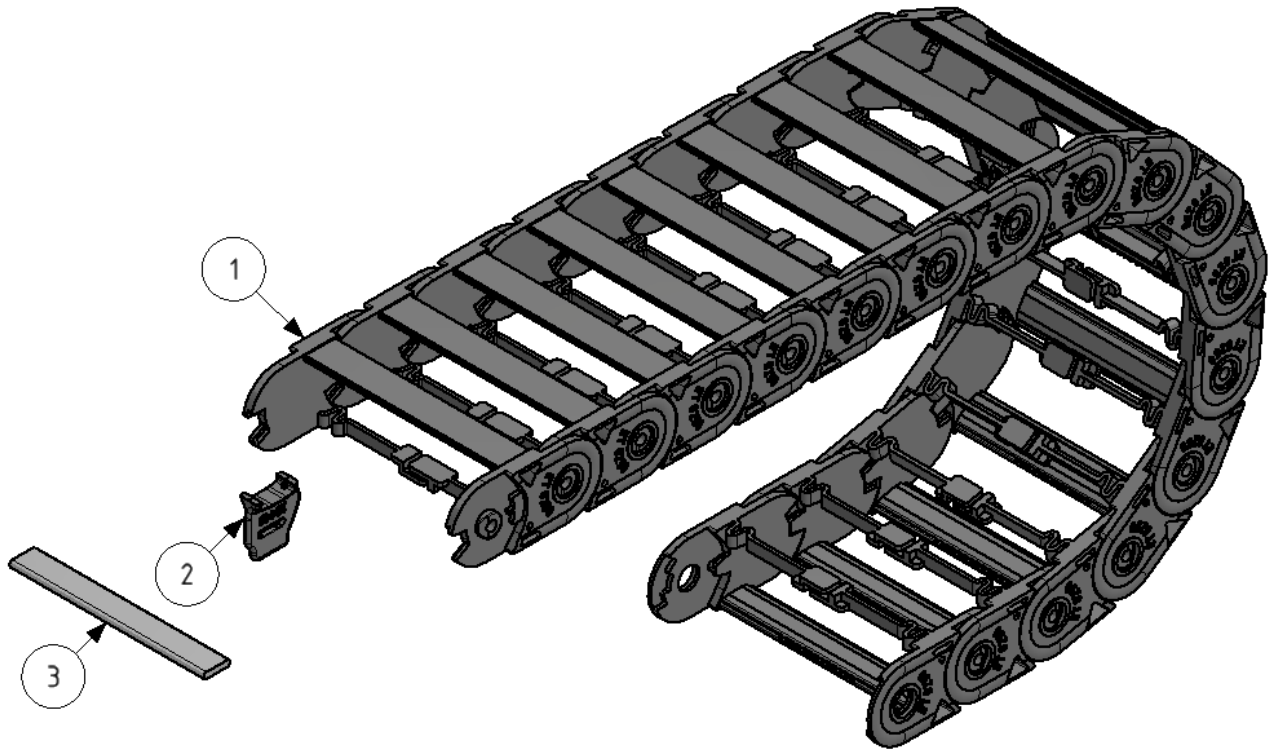
Item	Materialtext [remarks]	KR 028	KR 038	KR 045	KR 060	KR 075	KR 100
1 <sup>1</sup>	cc ET0250.030.050	10355	10356	10357	10358	10359	10361

Item	Materialtext [remarks]	Mat.-No.
2	Divider ET0250 TS0-TS1 [TS0 - without height separation, TS1 - continuous height separation with profile (item3)]	10449
3	Flat profile 2,1 x 9,1 [Aluminium]	6240

Back to: [content](#)

<sup>1</sup> 1 piece cable carrier consists of 40 chain links = 1000mm

**ET 0250.040**



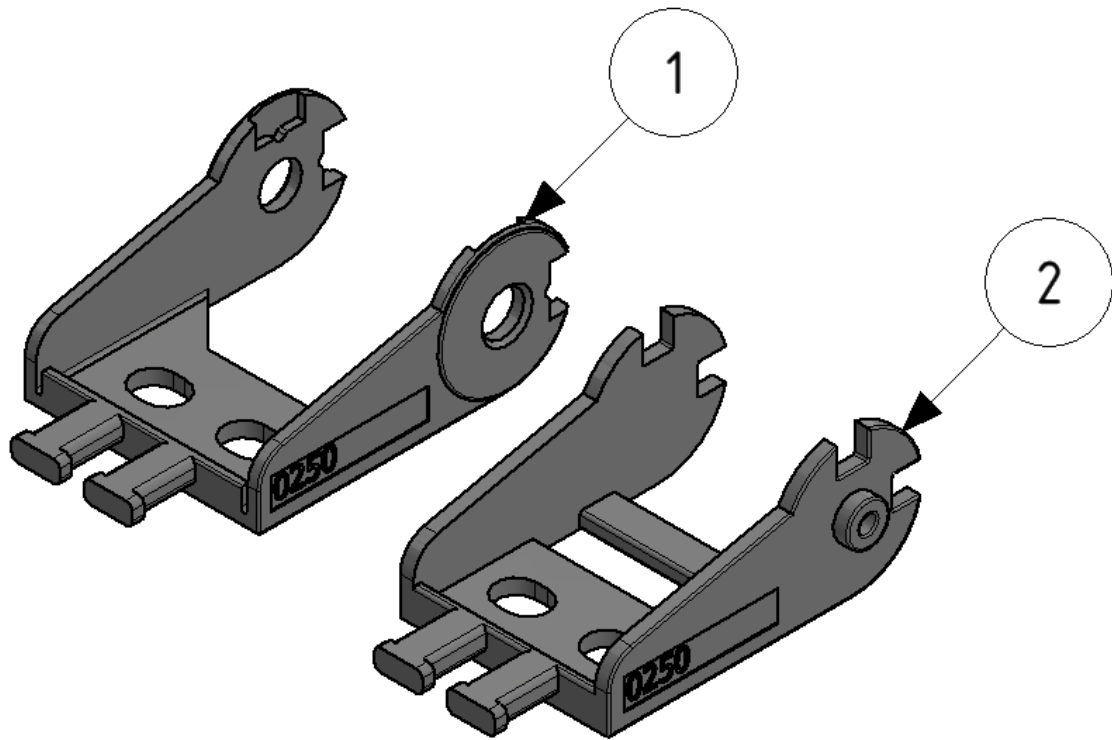
Item	Materialtext [remarks]	KR 028	KR 038	KR 045	KR 060	KR 075	KR 100
1 <sup>1</sup>	cc ET0250.040.050	10430	10431	10432	10433	10434	10435

Item	Materialtext [remarks]	Mat.-No.
2	Divider ET0250 TS0-TS1 [TS0 – without height separation, TS1 – continuous height separation with profile (item3)]	10449
3	Flat profile 2,1 x 9,1 [Aluminium]	6240

Back to: [content](#)

<sup>1</sup> 1 piece cable carrier consists of 40 chain links = 1000mm

**Brackets ET 0250**



Item	Materialtext [remarks]	Mat.-No.
1	bracket U0250 1250/ET/QT Bi050 ME SR [with strain relief]	11099
2	bracket U0250 1250/ET/QT Bi050 FE SR [with strain relief]	11107

Back to: [content](#)